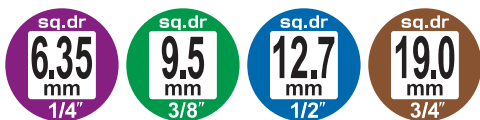


DIGITORQON TDT-SERIES

DIGITORQON TDT-series is a digital torque measurement device with ratchet. Digital LED display enable easy torque management. Alert by beeping sound when reaching the target torque. Data transfer function available.



Model	Torque Range Min.-Max. (N·m)	Min. Torque (N·m)	Increment (N·m)	Unit (*1)	Handle Type	Square Drive dr. A (mm)	Dimensions (mm)						Weight (kg) (*2)
							B	H	T	W	L	L ₁	
T2DT30H	6 ~ 30	0.3 ~	0.01	N·m	I	6.35	22.5	19.5	10.3	47	221	38	0.36
T3DT60H	12 ~ 60	0.3 ~	0.01	N·m	I	9.5	31.0	26.5	14.5	47	229	42	0.45
T3DT85H	17 ~ 85	3 ~	0.1	N·m	I	9.5	31.0	26.5	14.5	47	271	84	0.51
T3DT135H	27 ~ 135	3 ~	0.1	N·m	I	9.5	31.0	26.5	14.5	47	380	193	0.65
T4DT135H	27 ~ 135	3 ~	0.1	N·m	I	12.7	31.0	30.5	14.5	47	380	193	0.66
T4DT200H	40 ~ 200	5 ~	0.1	N·m	II	12.7	41.0	34.5	18.0	39	520	216	1.28
T4DT340H	68 ~ 340	5 ~	0.1	N·m	II	12.7	41.0	34.5	18.0	39	640	336	1.45
T6DT500H	100 ~ 500	5 ~	0.1	N·m	II	19.0	60.0	55.0	30.0	39	945	634	3.00
T6DT850H	170 ~ 850	5 ~	0.1	N·m	II	19.0	60.0	55.0	30.0	39	1220	910	4.18

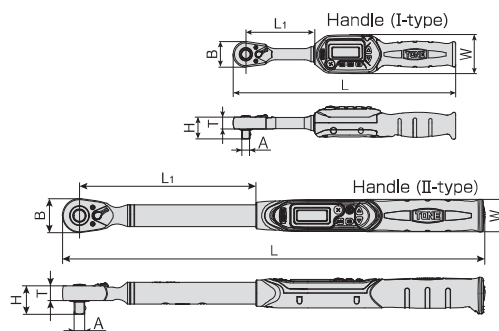
Model	Accuracy	Battery	Battery Life (*3)	Operating Temperature	Storage Temperature	Humidity
T2DT30H T3DT60H T3DT85H T3DT135H T4DT135H	±3%	AAA Alkaline or Manganese	Continuous operation: 48 hrs (LED light Off) Standby: 6 months (LED light Off)	-10°C	-20°C	Less than 90%RH
T4DT200H T4DT340H T6DT500H T6DT850H	±3.5%	Nickel Metal Hydride Rechargeable Battery x2	Continuous operation: 110 hrs (LED light Off) Standby: 12 months (LED light Off)	60°C	70°C	

*1:Selectable Unit: N.m (preset), in-lb, ft-lb, kg-cm

*2:Exclude battery.

*3:Battery life varies depending on conditions. Automatically shut off when the battery life is low.

Accessory		
Communications Software	1	
USB Cord	1	
AAA Alkaline(T2DT30H ~ T4DT135H)	2	
AA Alkaline (T4DT200H ~ T6DT850H)	2	
Calibration Certificate W/H Traceability	1	
Instruction Manual	1	
Plastic Case	1	



Expire Date of Calibration Certificate

- Not in Use
1 year from the date on the Calibration Certificate
- Start to use less than a year from the date on the Calibration Certificate.
1 year from the first day of use or up to 10,000 tightening.

Repair·Maintenance

- Repair and Maintenance required when LCD, LED lights or the gear teeth in ratchet head is broken.
Repair work might be impossible depending on the broken condition.
- Accuracy might become inaccurate in case that the tools are not in use for a long time or are not use properly. Contact your distributor periodically to keep the accuracy of the tools.
- Carry out overhaul once a year or every 10,000 tightening.
- Contact your distributor for reissuing the calibration certificate.
- Contact your distributor for details of handling DIGITORQON.