

For Low Pressure (Air)

Rotary Plug

For pneumatic tools and devices

Working pressure

1.5
1.5 MPa
(15 kgf/cm²)

Valve structure



One-way shut-off

Applicable fluid

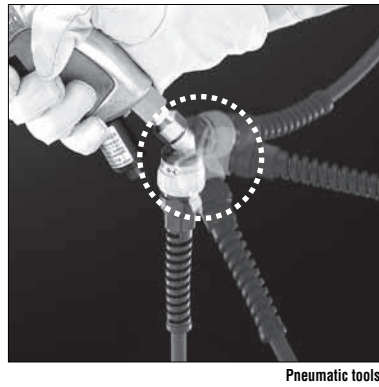
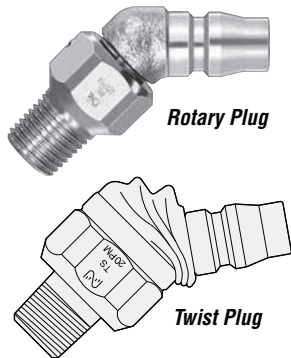


Air

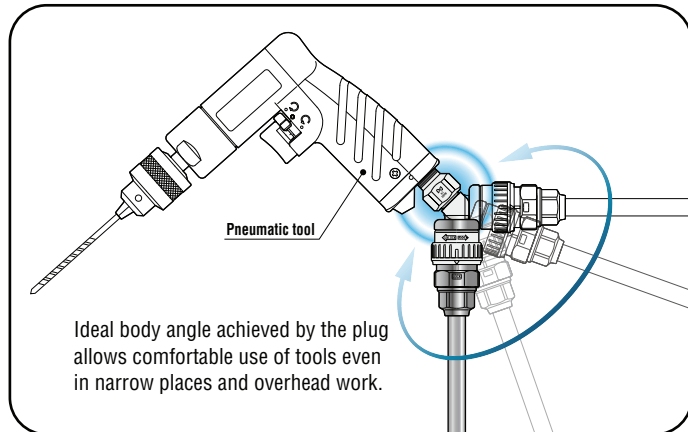
Newly developed rotary function allows 360° swivelling!
Big improvement for handling of pneumatic tools!

- Rotary neck plug for hose connection to pneumatic tools and pneumatic devices.
- Fits at 45° angle to the tool eliminating annoying offset load caused by connected hose.
- Ideal compact design enables optimum workability by simple body structure. Now far lighter and smaller than conventional models.
- New dust-proof design for increased durability.
- For air tackers, nailers, impact wrenches and other pneumatic tools.

■ Comparison by appearance



Pneumatic tools



Ideal body angle achieved by the plug allows comfortable use of tools even in narrow places and overhead work.

| Specifications | | | | |
|---------------------------|-----------------------|------|----------|---|
| Body material | Steel (Nickel-plated) | | | |
| Size (Thread) | 1/4", 3/8" | | | |
| Working pressure | MPa | 1.5 | | |
| | kgf/cm ² | 15 | | |
| | bar | 15 | | |
| | PSI | 218 | | |
| Seal material | Nitrile rubber | Mark | NBR (SG) | Working temperature range -20°C to +80°C Remarks Standard material |
| Working temperature range | | | | |

| Max. Tightening Torque | | Nm (kgf·cm) |
|------------------------|----------|-------------|
| Size (Thread) | 1/4" | 3/8" |
| Torque | 14 [143] | 22 [224] |

Flow Direction

Fluid may flow in either direction from plug or from socket side when coupled.

Interchangeability
Can be connected with sockets for Hi Cupla Models 10, 17, 20, 30, and 40. Interchangeable with each corresponding models of Hi Cupla Series and Nut Cupla Series.

Models and Dimensions WAF : WAF stands for width across flats.

Plug PM type (Male thread)

| Model | Application | Mass (g) | Dimensions (mm) | | |
|---------|-------------|----------|-----------------|--------|-------|
| | | | L | D | T |
| RL-20PM | Rc 1/4 | 52 | (52.1) | (34.1) | R 1/4 |
| RL-30PM | Rc 3/8 | 73 | (50.8) | (32.8) | R 3/8 |

Plug Model RL-20PFF type (Female thread)

● Application : G 1/4
● Mass : 57 g

Dimensions (mm)

For Low Pressure (Air)

Twist Plug

For pneumatic tools and devices

Working pressure



Valve structure

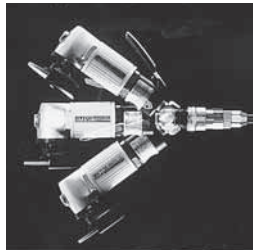


Applicable fluid



Eliminates hose twisting, kinking, or bending! Greatly improves working efficiency!

- A plug with a free twisting neck for hose connections to pneumatic tools and devices.
- Free angle control (max. 70° flexible) provides comfortable job positions, even in narrow spaces or with overhead works.
- The flexible part is reinforced with self-lubricating plastics to give smooth bending action and excellent durability.
- Dust protector over the flexible part prevents dirt and swarf from entering.

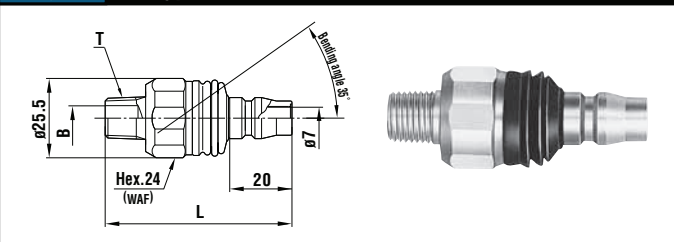


Pneumatic tools

Models and Dimensions

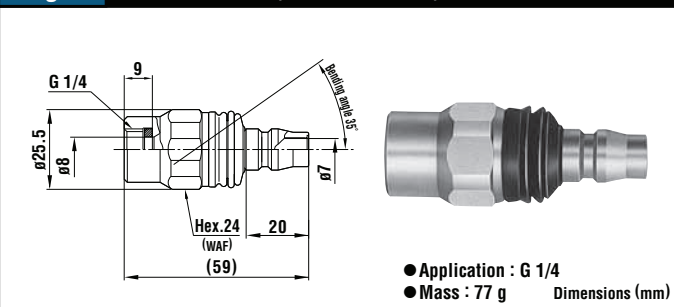
WAF : WAF stands for width across flats.

Plug PM type (Male thread)



| Model | Application | Mass (g) | Dimensions (mm) | | |
|---------|-------------|----------|-----------------|----|-------|
| | | | L | øB | T |
| TS-10PM | Rc 1/8 | 59 | (57.5) | 4 | R 1/8 |
| TS-20PM | Rc 1/4 | 59 | (60) | 8 | R 1/4 |
| TS-30PM | Rc 3/8 | 65 | (60) | 10 | R 3/8 |

Plug Model TS-20PFF (Female thread)



- Application : G 1/4
 - Mass : 77 g
- Dimensions (mm)

Specifications

| | | | | |
|---------------------------|-----------------------|------|----------|---|
| Body material | Steel (Nickel-plated) | | | |
| Size (Thread) | 1/8", 1/4", 3/8" | | | |
| Working pressure | MPa | 1.0 | | |
| | kgf/cm ² | 10 | | |
| | bar | 10 | | |
| | PSI | 145 | | |
| Seal material | Nitrile rubber | Mark | NBR (SG) | Working temperature range -20°C to +60°C |
| Working temperature range | Standard material | | | |

Tightening Torque Range

Nm (kgf·cm)

| Size (Thread) | 1/8" | 1/4" | 3/8" |
|---------------|---------------------|-----------------------|-----------------------|
| Torque | 8 to 10 (82 to 102) | 12 to 15 (122 to 153) | 22 to 25 (224 to 255) |

Flow Direction

Fluid may flow in either direction from plug or from socket side.



Interchangeability

Can be connected with socket for Hi Cupla Models 10, 17, 20, 30 and 40. Interchangeable with each corresponding models of Hi Cupla Series and Nut Cupla Series.

Suitability for Vacuum

Not suitable for vacuum application in either connected or disconnected condition.

Min. Cross-Sectional Area

(mm²)

| Model | TS-10PM | TS-20PM | TS-30PM | TS-20PFF |
|---------------------------|---------|---------|---------|----------|
| Min. cross-sectional area | 12.5 | 38.5 | 38.5 | 38.5 |

Pressure - Flow Characteristics

[Test conditions] • Fluid : Air • Temperature : Room temperature

(S) is a state of straight.
(B) is a state of bending.

